

# ALFRED TEVES BRAKE SYSTEMS (PTY) LTD

## TECHNICAL BULLETIN

16 May 2022

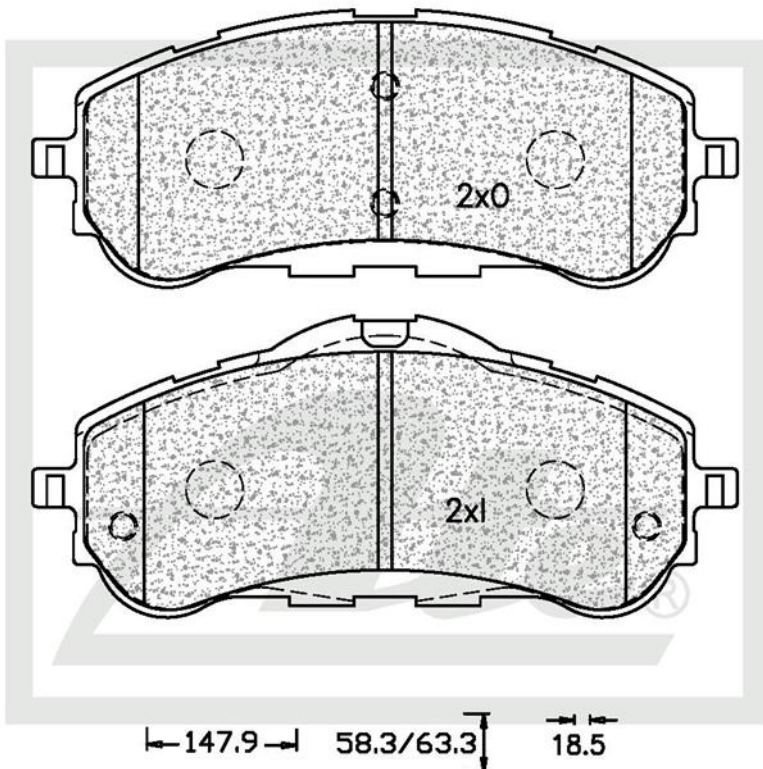


(ATE and Teves are registered trademarks of Continental Teves AG & Co oHG and/or its affiliates in Frankfurt Germany and other Countries)

# ATE1412

## NEW PART NUMBER

### Drawing



### Details of New Part

Brake Pad – Front

#### Product Dimensions

Length – 147.9mm

Height – 58.3/63.3mm

Thickness – 18.5mm

#### Package Dimensions

Weight – 1822.7g

L – 192.24mm

W – 138mm

H – 65.20mm

#### Barcode



ATE1412

### Vehicle Applications

CITROËN BERLINGO III (K9) 2019-; OPEL COMBO E (K9) 1.6D 2018-; OPEL COMBO E (K9) 1.6 2019-; PEUGEOT PARTNER III RIFTER 2018-; PEUGEOT PARTNER III (K9) 2018-; PEUGEOT 308 SW II (LC\_) (2017-2021); PEUGEOT 308 SW II (LC\_, LJ\_, LR\_, LX\_, L4\_) (2014-2021); PEUGEOT 308 II (LB\_, LP\_, LW\_, LH\_, L3\_) (2014-2021); PEUGEOT 308 II (LB\_) (2017-2021).

Front

Position

Rear



**CALL NOW TO ORDER YOUR STOCK!!!**

(011) 898 1800

Picture(s) of the vehicle(s) that this part is suitable for



www.ate.co.za

"Single Minded about YOUR Safety"